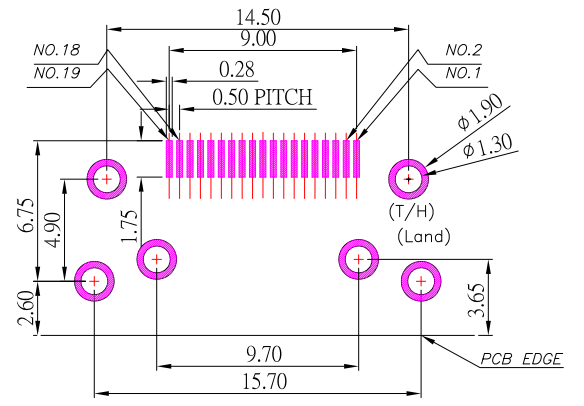


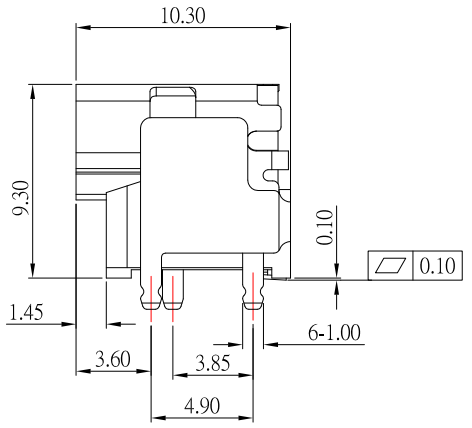
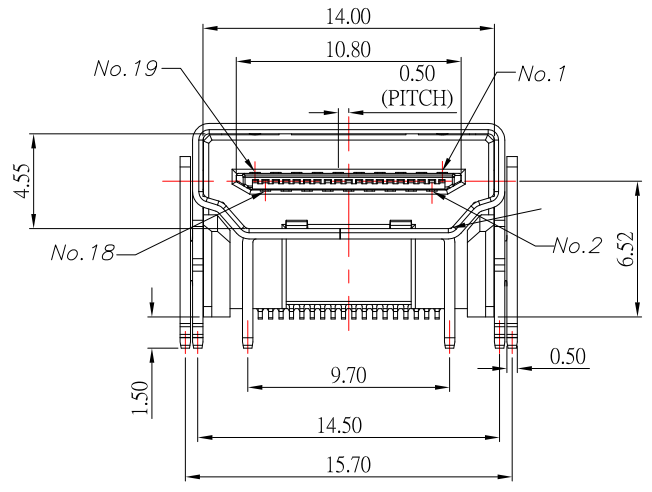
HDMI-19P-SND23x-S455

鍍層厚度 :

Blank	: 1u"
2	: 15u"
3	: 30u"



RECOMMENDED P.C.B. LAYOUT



NOTE:

- 1.MATERIAL:
 - 1.1 HOUSING: LCP
 - 1.2 CONTACT: BRASS
 - 1.3 SHELL: SUS
- 2.PLATING :
 - 2.1 CONTACT: PLATED GOLD IN MATING AREA ;
TIN PLATED ON SOLDER BALLS ;
NICKEL UNDER PLATED OVERALL
 - 2.2 SHELL: NICKEL UNDER PLATED SURFACE LAYER
- 3.ELECTRICAL:
 - 3.1 RATING: 40V , 0.5A
 - 3.2 CONTACT RESISTANCE: 30mΩ MAX
 - 3.3 INSULATION RESISTANCE: 100MΩ MIN
 - 3.4 WITHSTANDING VOLTAGE: 500V AC
 - 3.5 OPERATING TEMPERATURE: -25°C~ 85°C



TOLERANCE UNLESS OTHERWISE STATED :

Up to 5	±0.2
Above 5 ~ 15	±0.3
Above 15 ~ 30	±0.4
Above 30 ~ 50	±0.5
Angle	±0.3°

3RD. ANGEL'S



DRAWN BY:	DATE	MAT'L	TITLE	CONNECTOR
Jack Lu	10/19/22			
CHECKED BY:	DATE	FINISH	MODLE	HDMI AF 90度 SMT 加高型 H9.3mm
Jacky Chen	10/19/22			
APPROVED BY:	DATE	SCALE	DWG NO.	HDMI-19P-SND23x-S455
Tony Kao	10/19/22	1 : 1	PART NO.	HDMI-19P-SND23x-S455
		SHEET NO.	1 of 1	
				SIZE A4
				VER R

ITEM NO.	DESCRIPTION	DRAWN	DATE